

DATA SHEET: TEMBREAK 2 E250-SJ MCCB

MCCB Electrical Characteristics to IEC 60947-2, EN 60947-2, JIS C 8201-2-1 ANN.1, NEMA AB-1

Frame Reference	Quantity	Unit	Condition	TB2 Lite 250
Max In (A) of Frame				250
Model				E250
Number of Poles				3, 4
Type				SJ
Nominal current ratings				
	In	(A)	50°C	100,125, 160,200 250
Electrical characteristics				
Rated operational voltage	U _e	(V)	AC 50/60 Hz DC	525 250
Rated insulation voltage	U _i	(V)		800
Rated impulse voltage	U _{imp}	(kV)		8
Ultimate breaking capacity (IEC, JIS, AS/NZS)	I _{cu}	(kA)	690V AC	-
			525V AC	7.5
			440V AC	15
			400/415V AC	25
			220/240V AC	35
250V DC	15			
Service breaking capacity (IEC, JIS, AS/NZS)	I _{cs}	(kA)	690V AC	-
			525V AC	6
			440V AC	12
			400/415V AC	19
			220/240V AC	27
250V DC	12			
Rated breaking capacity (NEMA)		(kA)	480V AC 240VAC	10 35
Protection				
Fixed thermal, fixed magnetic				-
Adjustable thermal, adjustable magnetic				■
Utilisation category				A
Installation				
Front connection (FC)				■
Extension bar (FB)				•
Cable clamp (FW)				•
Rear connection (RC)				•
Plug-in (PM)				-
DIN rail mounting (DA)				-
Dimensions	height	(mm)		165
	width	(mm)	3 pole 4 pole	105 140
Weight	depth	(mm)		68
	weight	(kg)	3 pole 4 pole	1.5 1.9
Operation				
Direct Opening Action				■
Toggle operation				■
Door mounted (HS) / Breaker mounted handle (HB)				•
Motor operation				•
Endurance	Electrical Mechanical	cycles cycles	415V AC	6,000 18,000

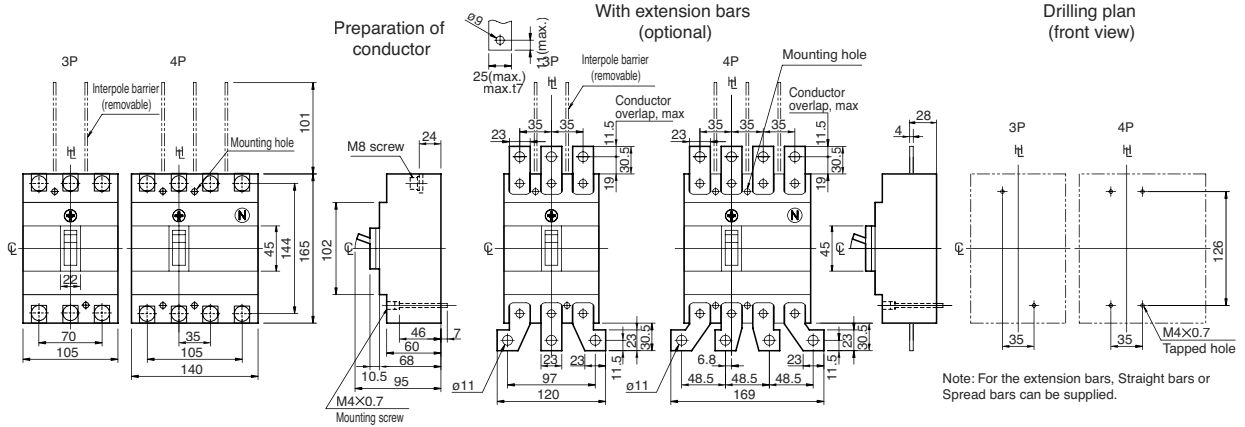
■ Standard • Optional - Not Available

DATA SHEET: TEMBREAK 2 E250-SJ MCCB

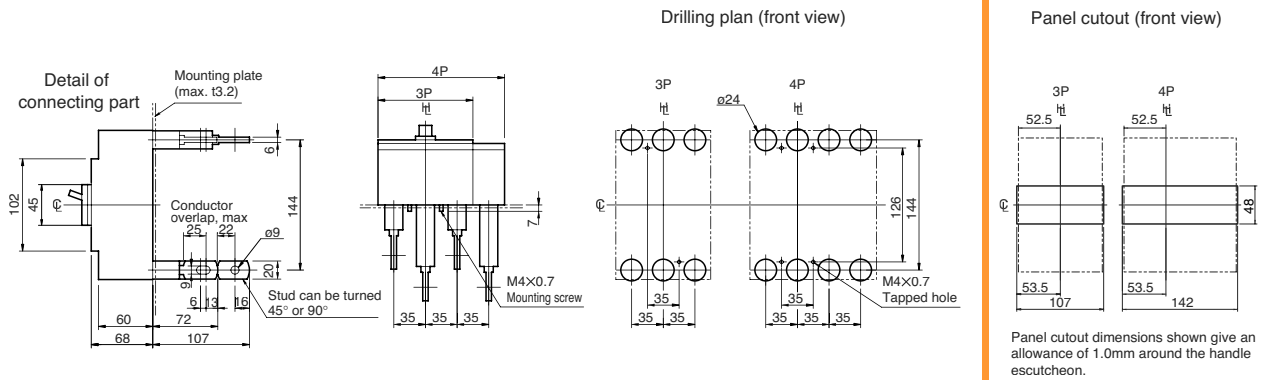
Outline Dimensions E250-SJ

ASL: Arrangement Standard Line H_L: Handle Frame Centre Line

Front connected



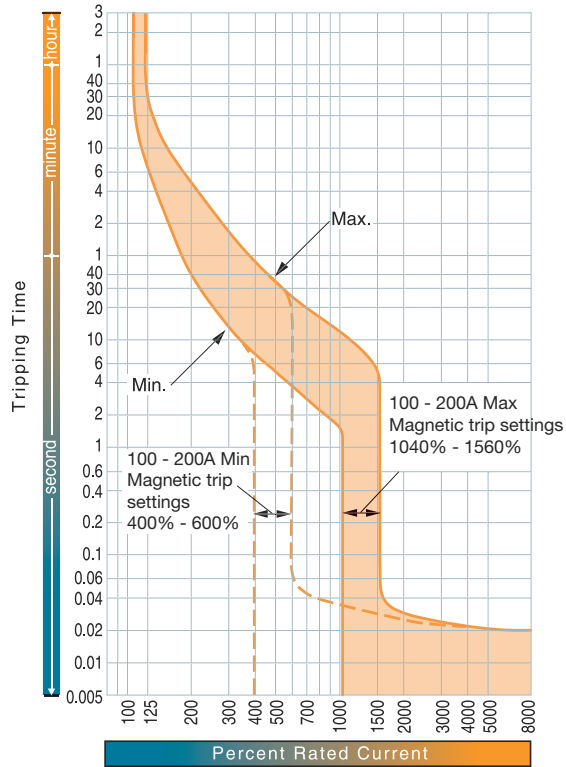
Rear connected



DATA SHEET: TEMBREAK 2 E250-SJ MCCB

Time/Current Characteristic Curves

E250-SJ (100 ~ 200A)



Time/Current Characteristic Curves

E250-SJ (250A)

