

DATA SHEET: TEMBREAK 2 E630-NE MCCB

MCCB Electrical Characteristics to IEC 60947-2, EN 60947-2, JIS C 8201-2-1 ANN.1, AS/NZS 3947-2, NEMA AB-1

Frame Reference	Quantity	Unit	Condition	TB2 E/S 630
Max In (A) of Frame				630
Model Number of Poles Type				E630 3, 4 NE
Nominal current ratings	In	(A)	50°C	630
Electrical characteristics				
Rated operational voltage	U _e	(A)	AC 50/60 Hz DC	690 ① -
Rated insulation voltage	U _i	(V)		800
Rated impulse withstand voltage	U _{imp}	(kV)		8
Ultimate breaking capacity (IEC, JIS, AS/NZS)	I _{cu}	(kA)	690VAC	10 ①
			525VAC	15
			440VAC	25
			400/415VAC	36
			220/240VAC 250V DC	50 -
Service breaking capacity (IEC, JIS, AS/NZS)	I _{cs}	(kA)	690VAC	10 ①
			525VAC	15
			440VAC	25
			400/415VAC	36
			220/240VAC 250V DC	50 -
Rated breaking capacity (NEMA)		(kA)	480VAC 240VAC	15 50
Protection				
Adjustable thermal, adjustable magnetic Fixed thermal, fixed magnetic Microprocessor Utilisation category				■ A
Installation				
Front connection (FC) Extension bar (FB) Cable clamp (FW) Rear connector (RC) Plug-in (PM) Din rail mounting (DA) Dimensions	height width	(mm) (mm)	3 pole, (1 pole) 4 pole	■ ● - ● ② - 260 140 185
Weight	depth weight	(mm) (kg)	3 pole, (1 pole) 4 pole	103 5.0 6.5
Operation				
Direct Opening Action Toggle operation Door mounted (HS) / breaker mounted handle (HB) Motor operation (MC)				■ ■ ● ●
Endurance	Electrical Mechanical	cycles cycles	415VAC	4,500 15,000

■ Standard ● Optional - Not Available

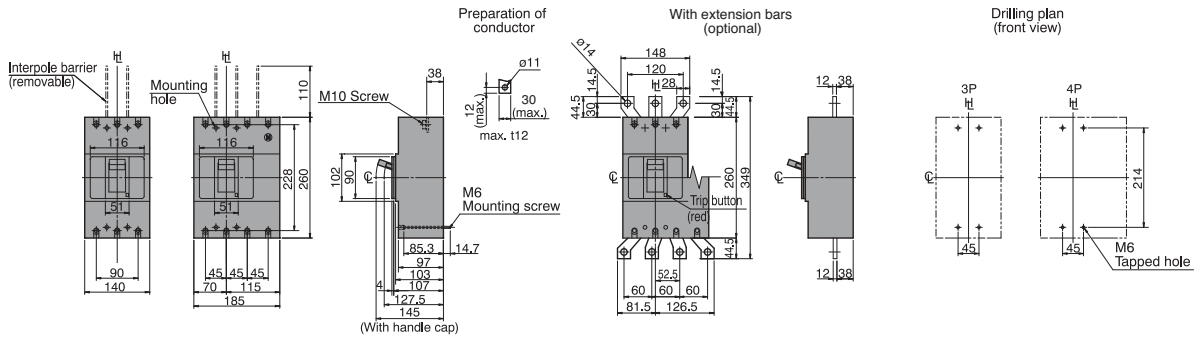
① MCCB cannot be used in IT systems at this voltage.
② Not fully rated at 50°C refer to Temperature Ratings

DATA SHEET: TEMBREAK 2 E630-NE MCCB

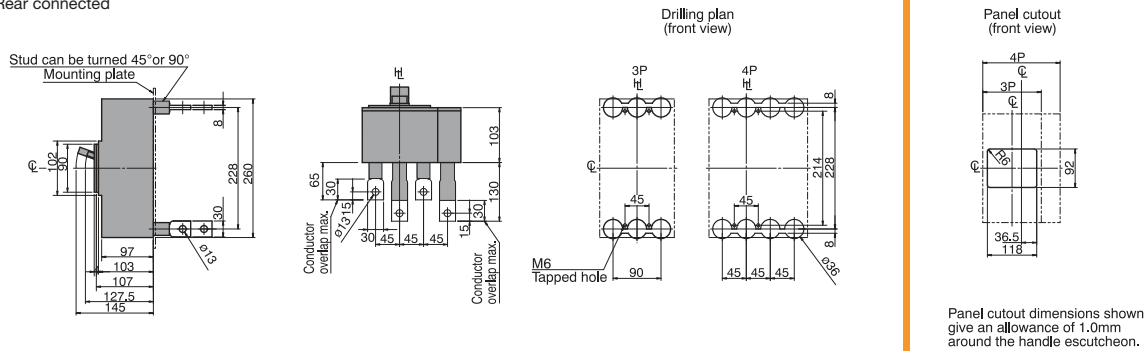
Outline Dimensions E630-NE

ASL: Arrangement Standard Line H_L : Handle Frame Centre Line

Front connected



Rear connected

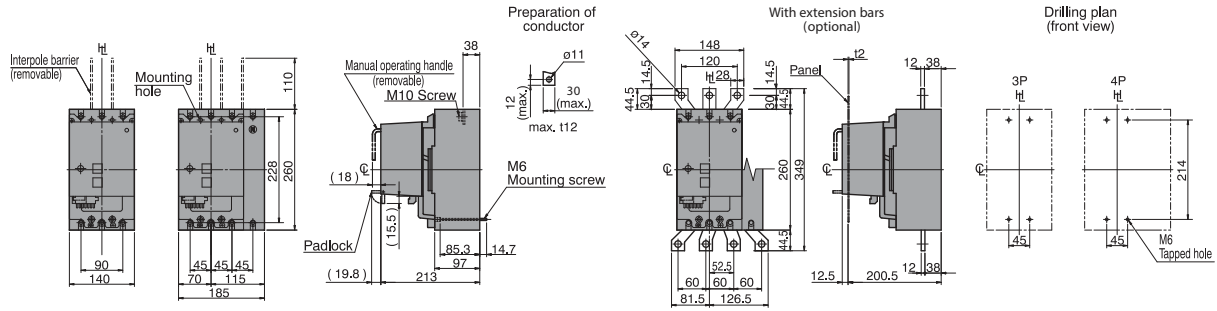


DATA SHEET: TEMBREAK 2 E630-NE MCCB

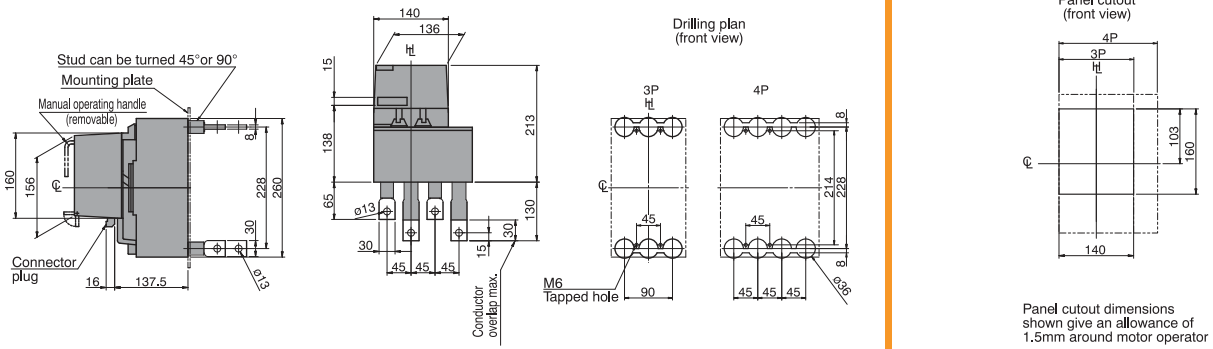
Outline Dimensions E630-NE with Motor Operators

ASL: Arrangement Standard Line H_L: Handle Frame Centre Line

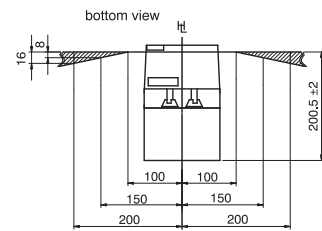
Front connected



Rear connected with Motor Operator



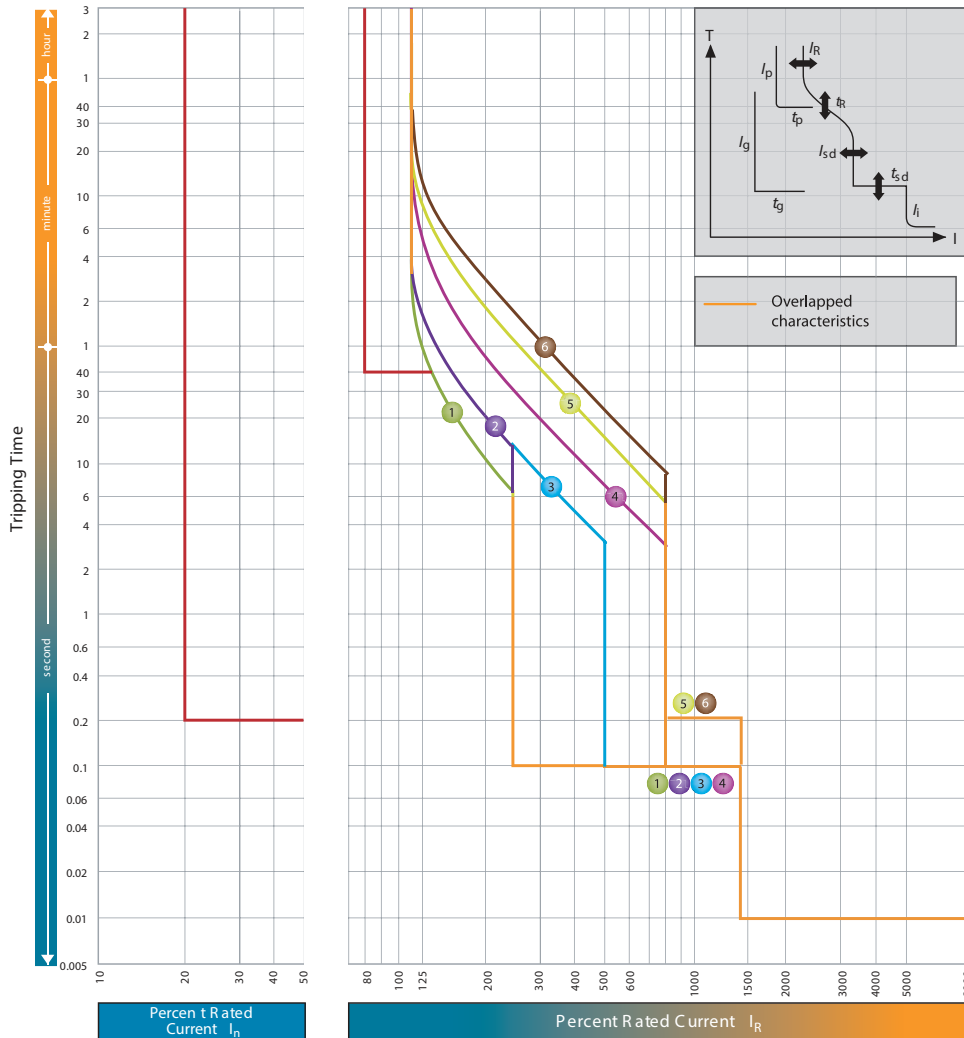
Panel hinge position (hatching area)



DATA SHEET: TEMBREAK 2 E630-NE MCCB

Time/Current Characteristic Curves

E630-NE



$I_n = 630A$

		I_R (A)		LTD Pick-up current I_R x I_n							
				0.4	0.5	0.63	0.8	0.85	0.9	0.95	1.0
		Characteristics		No.	1	2	3	4	5	6	
Standard	LT	t_R	(s)		11	21	21	5	10	16	
	ST	I_{sd}	x I_R		2.5			5	8		
		t_{sd}	(s)		0.1				0.2		
	INST	I_i	x I_R	14(Max: 10 x I_n) Note (1)							
Option	PTA	I_p	x I_R	0.8							
		t_p	(s)	40							
	GF Note(3)	I_g	x I_n	0.2							
		t_g	(s)	0.2							
	NP	I_N	x I_R	1.0/0.5 Note(2)							
		t_N	(s)	$t_N = t_R$							

Note

(1) I_i max. = 10 x I_n . (2) 1.0 x I_R or 0.5 x I_R can be selected. Characteristic of neutral protection (t_N vs. I_N) is identical to characteristic of phase protection (t_R vs. I_R). (3) When you specify GF on MCCBs with 3 poles the terminal block is automatically fitted to connect with the external neutral CT for 3 phases 4 wires system. See terminal bl