

# TECS Miniature Circuit Breakers (MCB) For 2-63A

## EP SERIES 6/10kA



### Functions

Protection against overloads and short circuits, switching and isolation

### Application

For use in commercial and industrial electrical distribution systems

### Standards and Certificates

EP06	IEC 60898-1 KEMA, SEMKO, CE
EP10	IEC 60898-1 & IEC60947-2 KEMA, SEMKO, CE, ABS



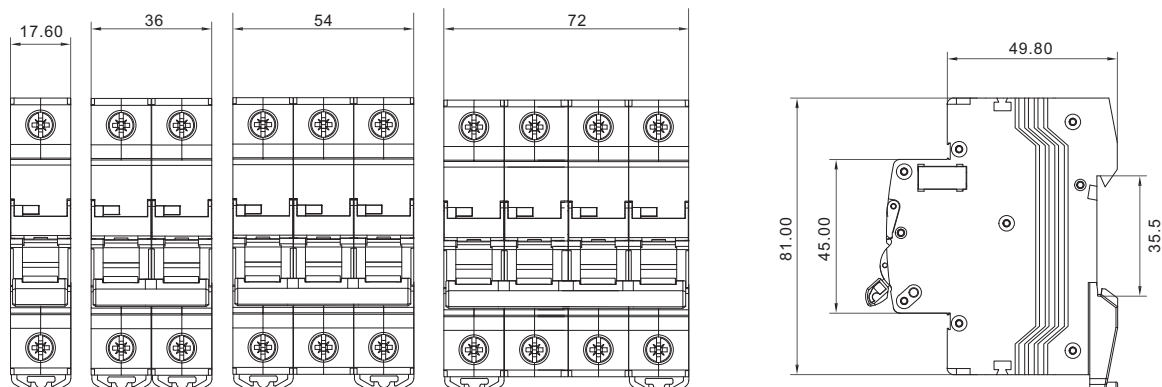
### Specifications

Rated Voltage	Phase to Neutral 230/240V / Phase to Phase 400/415V~
Characteristics	B Curve (3~5I <sub>n</sub> ) / C Curve (5~10I <sub>n</sub> ) / D Curve (10~20I <sub>n</sub> )
Capacity	6kA and 10kA
Poles	1P / 2P / 3P / 4P
Ampere	2 / 4 / 6 / 10 / 16 / 20 / 25 / 32 / 40 / 50 / 63 A
Frequency	50/60Hz
Calibration Temperature	30°C
Operating Temperature	-25°C to +45°C
Protection Degree	IP20
Electrical Endurance	> 8,000 cycles
Mechanical Endurance	> 20,000 cycles
Weight	1P = 103g / 2P = 207g / 3P = 311g / 4P = 415g (EP06) 1P = 115g / 2P = 231g / 3P = 347g / 4P = 464g (EP10)

### Wiring Capacity

Rigid Conductor	35mm <sup>2</sup> Maximum(6kA) / 35mm <sup>2</sup> Maximum(10kA)
Flexible Conductor	25mm <sup>2</sup> Maximum(6kA) / 25mm <sup>2</sup> Maximum(10kA)

### Dimension



# TECS Miniature Circuit Breakers (MCB) For 80-125A

## EP SERIES

### 6/10kA



## Functions

Protection against overloads and short circuits, switching and isolation

## Application

For use in commercial and industrial electrical distribution systems

## Standards and Certificates

IEC 60898-1 & IEC60947-2  
 SEMKO, CE (10kA), KEMA



## Specifications

Rated Voltage	Phase to Neutral 240V / Phase to Phase 415V~
Characteristics	IEC60898 : B Curve (3~5In) / C Curve (5~10In) / D Curve (10~20In) IEC60947-2
Capacity	6 kA / 10 kA
Poles	1P / 2P / 3P / 4P
Ampere	80 / 100 / 125 A
Frequency	50/60Hz
Calibration Temperature	30°C
Operating Temperature	-5°C to +45°C
Protection Degree	IP20
Electrical Endurance	> 4,000 cycles (80-100A), 3,000 cycles (125A)
Mechanical Endurance	> 8,500 cycles
Weight	1P = 148g / 2P = 296g / 3P = 445g / 4P = 593g

## Wiring Capacity

Rigid Conductor                    50mm<sup>2</sup> Maximum  
 Flexible Conductor                35mm<sup>2</sup> Maximum

## Dimension

